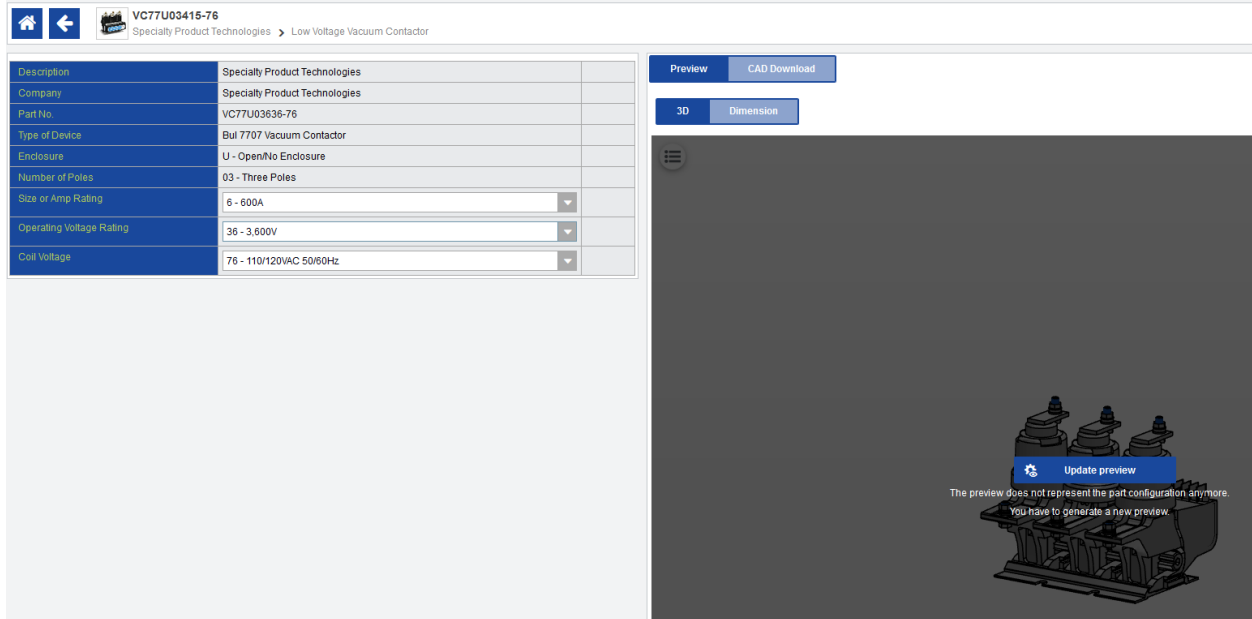


## Joslyn Clark Vacuum Contactor Product Configurator and CAD Models Web Tutorial

### Define specifications in the product configurator

The following images show examples of Joslyn Clark's versatile VC configurator on the webpage. Specifications that are configurable are in white cells with down arrow to access other available product offerings. In this particular VC example, our customers can specify different Amp Ratings, Voltage Ratings, and Coil Voltages. The first step is to input your specifications into the configurator, then click update preview.

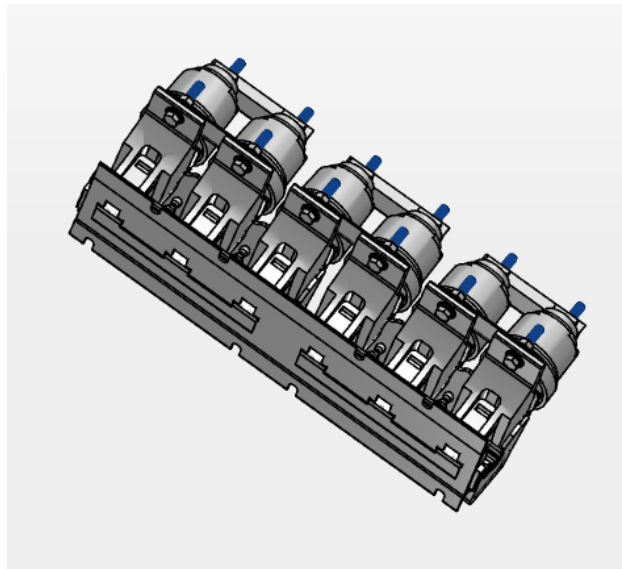
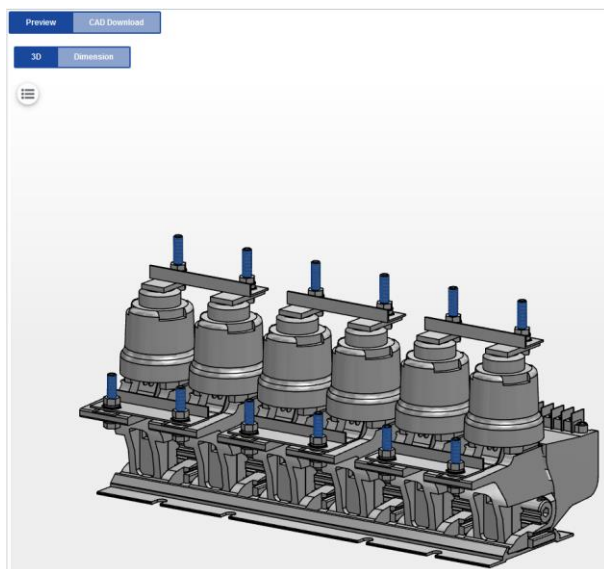


The screenshot displays the product configurator interface. On the left, a table lists specifications for the 'VC77U03415-76' Low Voltage Vacuum Contactor. The table has columns for the specification name, the current value, and a dropdown arrow for configurable items. The right side of the interface features a 'Preview' button and a 'CAD Download' button. Below these are '3D' and 'Dimension' view options. The main preview area shows a 3D model of the vacuum contactor with a message: 'Update preview' (with a gear icon), 'The preview does not represent the part configuration anymore. You have to generate a new preview.'

Description	Specialty Product Technologies
Company	Specialty Product Technologies
Part No.	VC77U03415-76
Type of Device	Bul 7707 Vacuum Contactor
Enclosure	U - Open/No Enclosure
Number of Poles	03 - Three Poles
Size or Amp Rating	6 - 600A
Operating Voltage Rating	36 - 3,600V
Coil Voltage	76 - 110/120VAC 50/60Hz

### Preview the CAD model

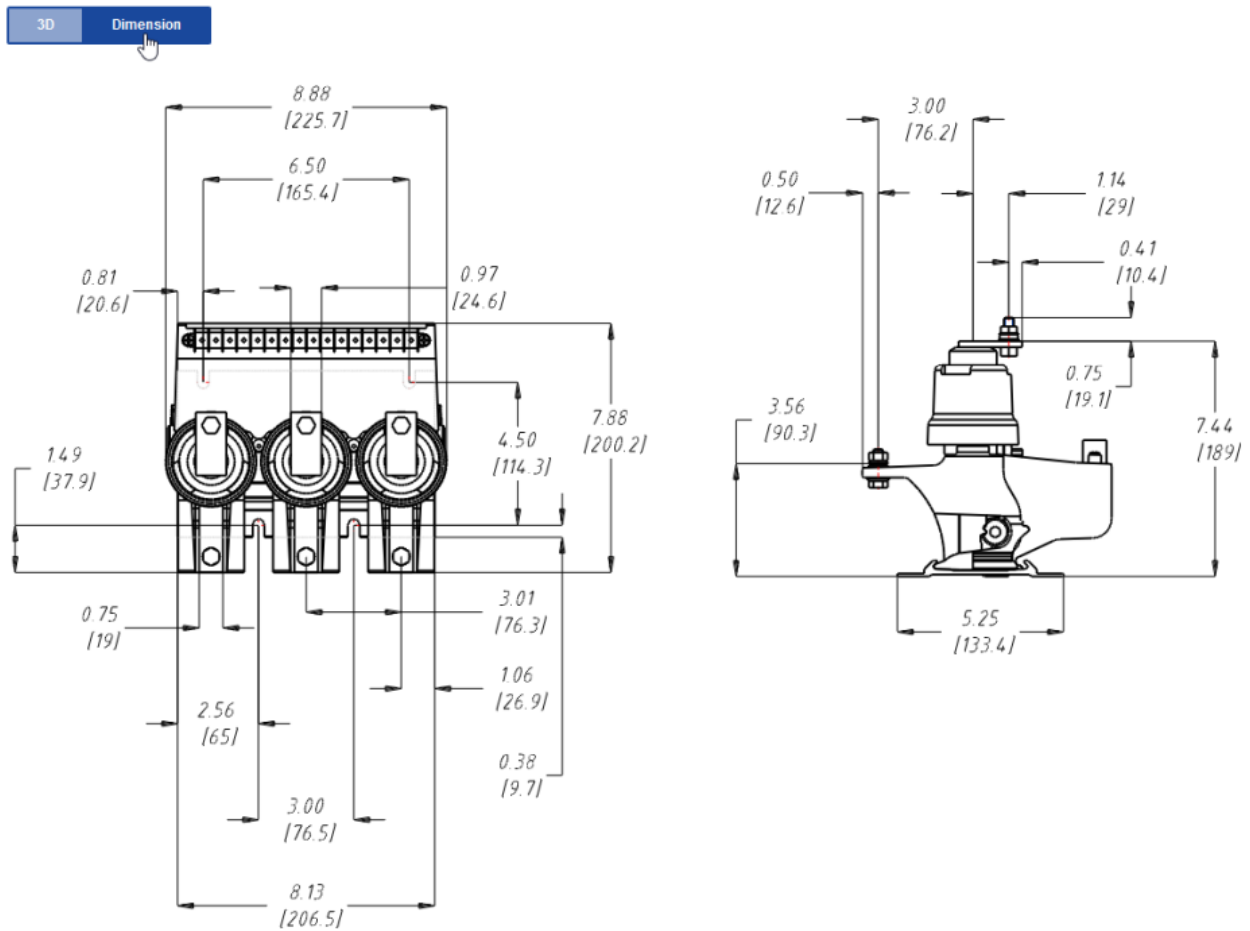
Within the CAD model on the right panel, scroll up to enlarge the preview and scroll down to reduce the preview. In addition, you can click and drag your mouse in the model panel to rotate the product.





## 2D Dimension Drawings

At anytime, you can click the Dimension tab to view 2D outline drawings.



## CAD Model Download

Simply click the CAD Download tab, chose either Generate CAD or Generate PDF datasheet, and complete registration for CAD models at your finger tips.



Thanks for your interests in Joslyn Clark Vacuum Contactors!



[joslynclark.com](http://joslynclark.com)